

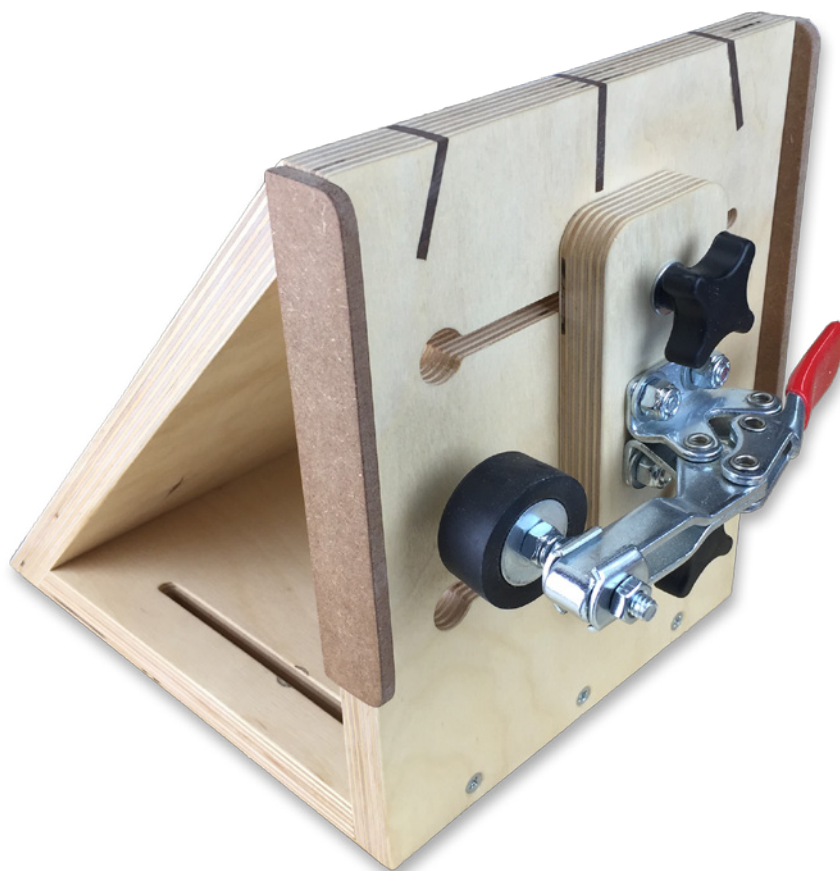
MITER SPLINE & TENON JIG_{v1}

COPYRIGHT © 2016 NICKFERRY.COM

Shopping List

Item	Qty.	Description (links clickable if viewed in Adobe)
7.5" X 32" X 3/4" PLYWOOD	1	BALTIC BIRCH PLYWOOD IS WHAT I USED
1/4" MDF (SMALL SCRAPS)	1	MDF, HARDBOARD OR 1/4" PLY WILL WORK
TOGGLE CLAMP	1	HTTP://AMZN.TO/1VU3I3K - \$ ASSOCIATED MOUNTING HARDWARE
1 3/4" CARRIAGE BOLTS	2	1/4-20 X 1 3/4" \$ WASHERS
2" WOOD SCREWS	3	
STAR KNOBS	2	1/4-20 THREAD HTTP://AMZN.TO/1TGAUED
SPLINES OR SCREWS	N/A	DEPENDING ON HOW YOU MAKE IT
FERRY TABLE SAW SLED		HTTPS://NICKFERRY.COM/PRODUCT/TABLE-SAW-CROSS-CUT-MITER-SLED/
FINISH OF CHOICE	N/A	I DID ONE COAT OF WIPE-ON POLYURETHENE

WHEN I ORIGINALLY DESIGNED MY TABLE SAW SLED, I HAD ADD-ON'S AND ACCESSORIES IN MIND. I WANTED TO GET THE MOST OUT OF IT AND USE IT AS THE FOUNDATION FOR OTHER SHOP JIGS. THIS IS MY MITERED SPLINE AND TENONING JIG. ONE SIDE FOR CUTTING GROOVES INTO MITERS TO ACCEPT SPLINES, THE OTHER SIDE IS A SIMPLE BUT EFFECTIVE TENONING JIG.



PLEASE NOTE:

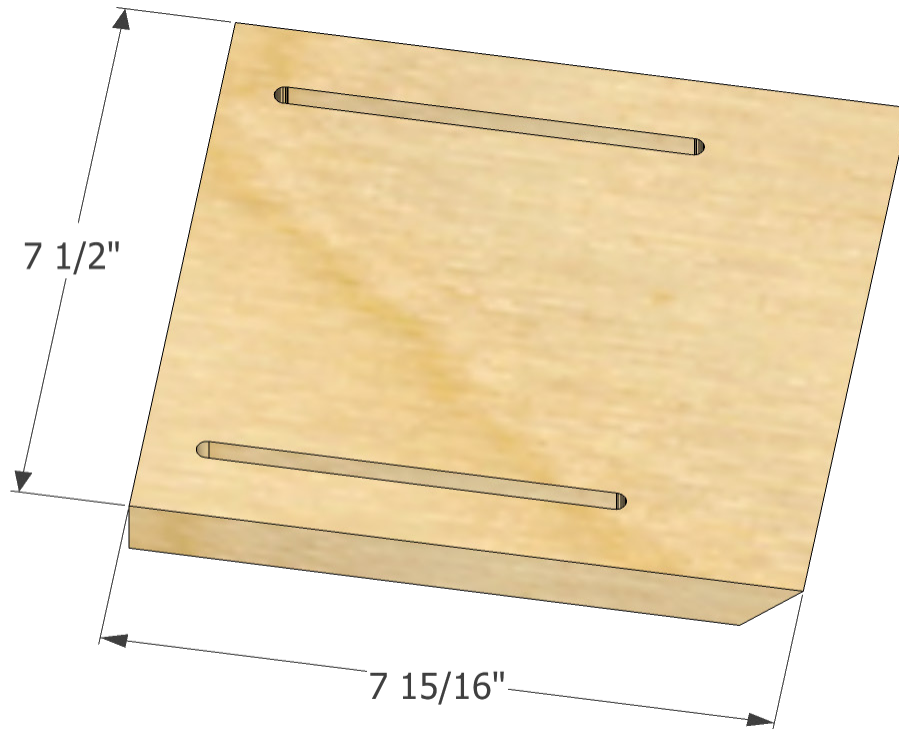
ALL DIMENSIONS GIVEN ARE BASED ON 3/4" & 1/4" MATERIAL. YOUR MATERIAL THICKNESS MAY VARY.

LEGAL NOTICE:

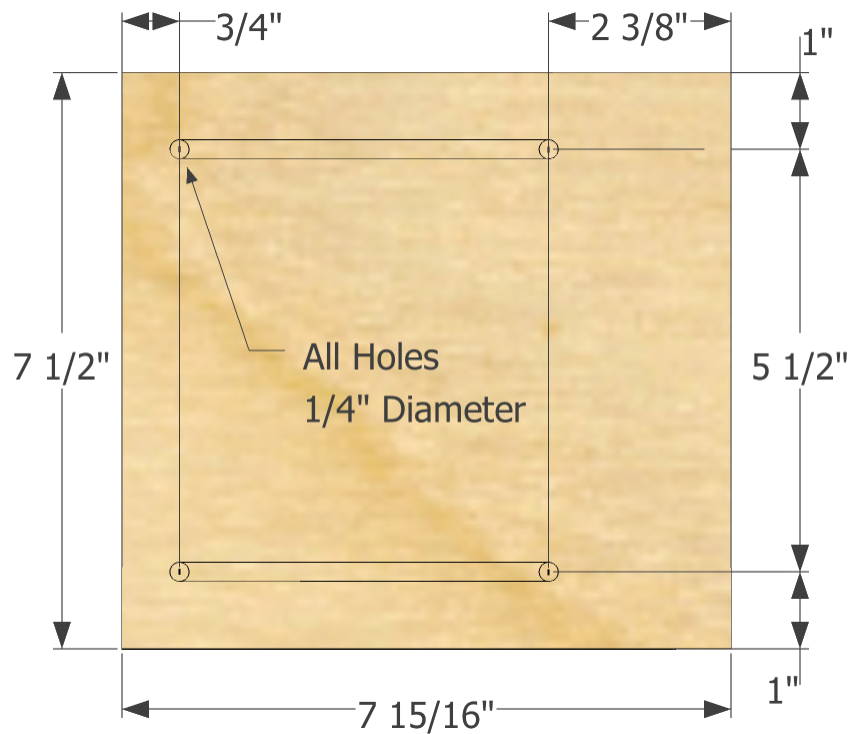
THESE DRAWINGS ARE FOR PERSONAL USE ONLY. THE DRAWINGS SHOULD NOT BE DUPLICATED, DISTRIBUTED OR RESOLD WHOLE OR IN PART WITHOUT EXPRESSED WRITTEN CONSENT FROM NICK FERRY, LLC. THESE DRAWINGS ARE PRESENTED AS A GENERAL GUIDE AND ARE BASED UPON AN ORIGINAL CONSTRUCTION BY NICK FERRY. NO STATEMENT OF FITNESS FOR USE OR SAFETY OF OPERATION IS STATED OR IMPLIED. BY USING THESE DRAWINGS YOU PERSONALLY ASSUME ALL RESPONSIBILITY FOR ANY AND ALL OUTCOMES. DIMENSIONS, MATERIALS, ETC. MAY NEED TO BE ADJUSTED FOR YOUR SPECIFIC APPLICATION. READ AND FOLLOW ALL SAFETY AND OPERATING INSTRUCTIONS SUPPLIED BY THE TOOL'S AND MATERIAL'S MANUFACTURER.

BASE PIECE

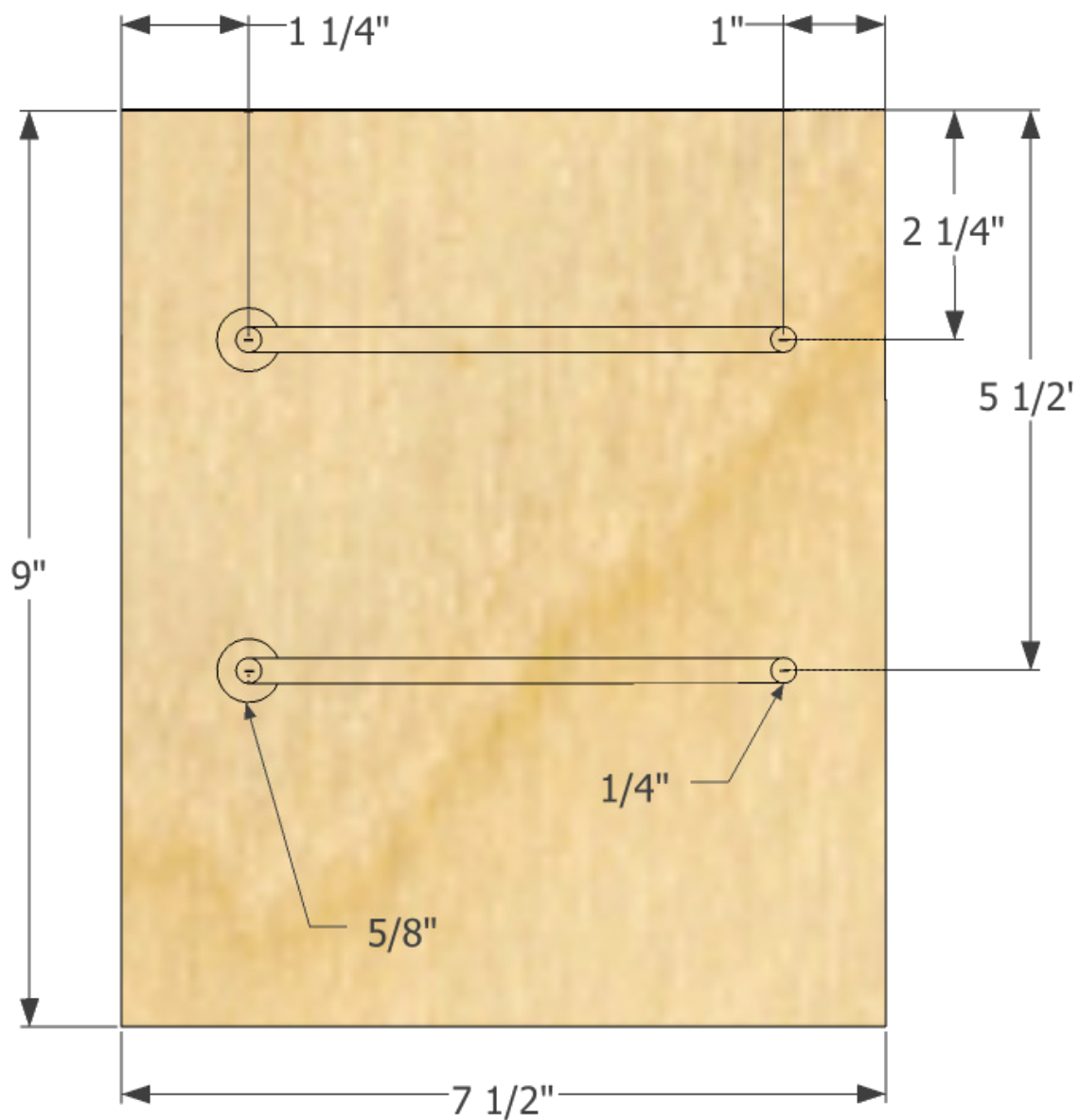
ANGLED TOP VIEW



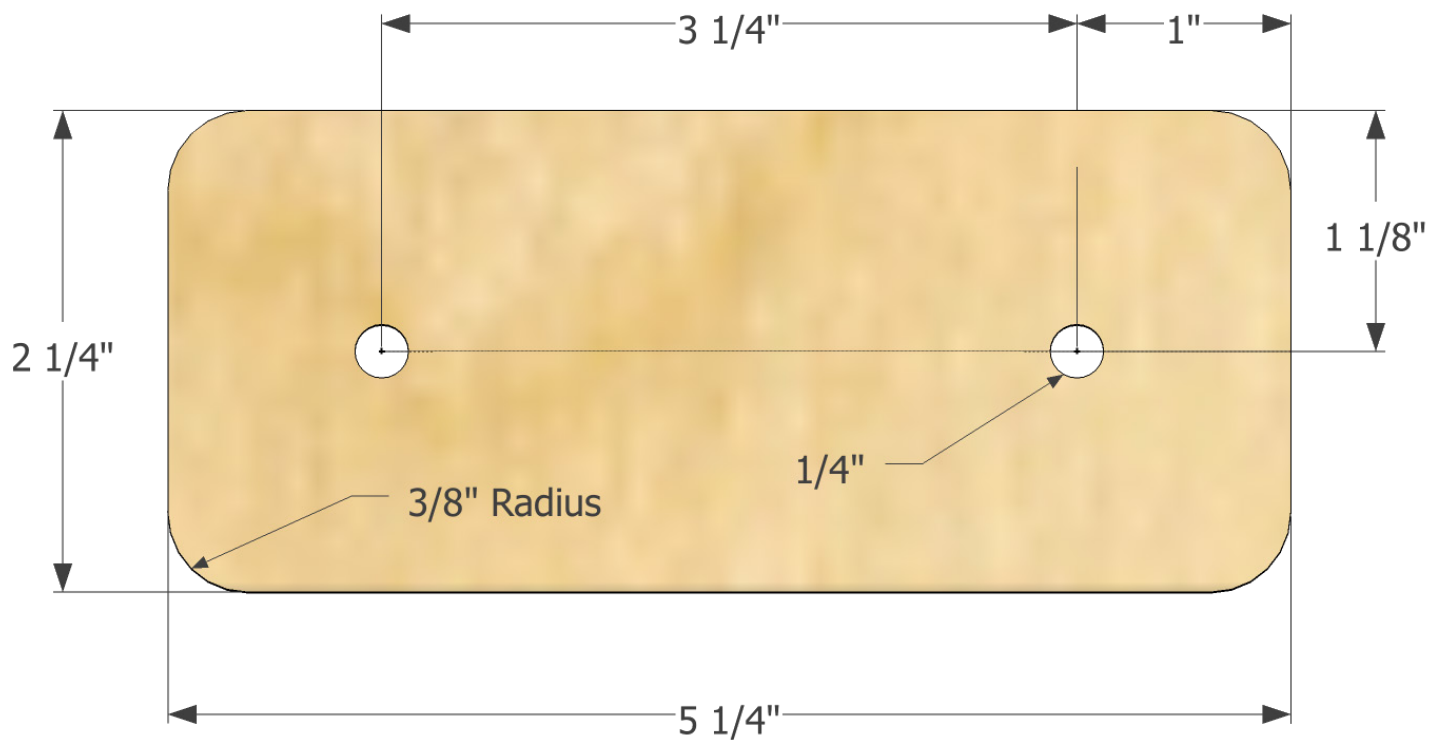
TOP VIEW



UPRIGHT



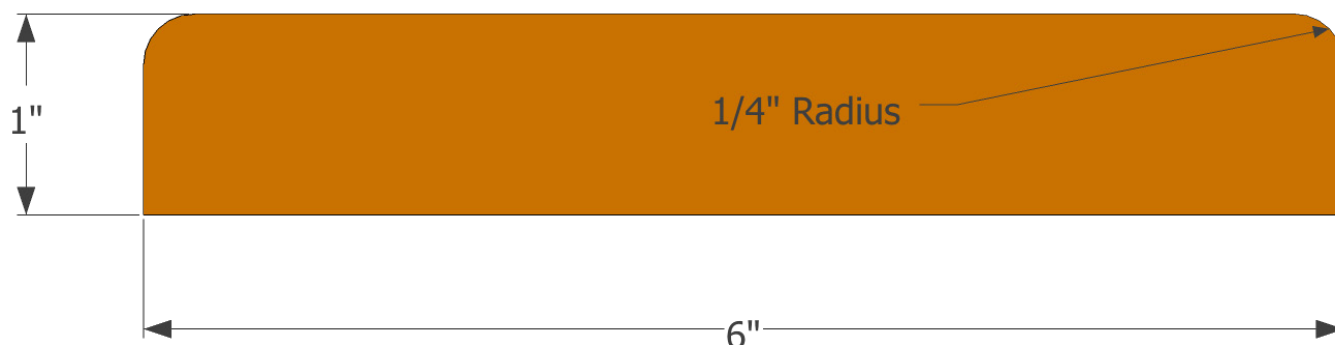
TOGGLE CLAMP PLATE



NOTE:
I DIDN'T INCLUDE THE HOLES TO MOUNT THE TOGGLE CLAMP BECAUSE YOUR CLAMP MAY VARY. CENTER THE CLAMP ON THE PLATE AND MARK FOR THE MOUNTING HOLES.

SIDE FENCES (QTY. 2)

(1/4" MATERIAL)



THIS JIG IS DESIGNED TO BE USED IN CONJUNCTION WITH MY TABLE SAW SLED. IT COULD BE ADAPTED TO BE USED SEPERATELY. ALL MEASUREMENTS ARE BASED ON MY TABLE SAW SLED'S ORIGINAL DIMENSIONS. IF YOU ARE INTERESTED IN BUILDING MY SLED, THE LINKS ARE LISTED BELOW:

(LINKS CLICKABLE IN ADOBE)

[SLED BUILD ARTICLE](#)

[SLED PLANS](#)